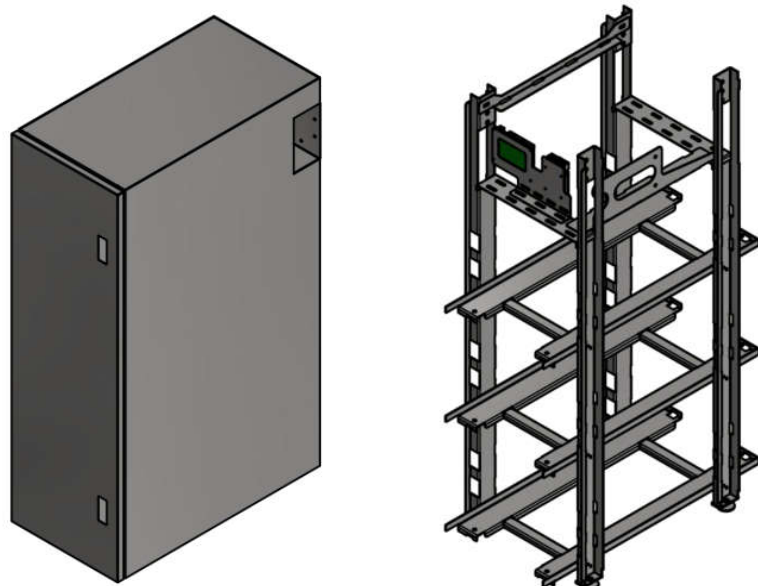


SOLAR MD STORAGE PRODUCTS



CB-12 Cabinet Solution

The CB-12 cabinet provides a flexible, modular design. Its storage capabilities depend on the number of SS202 modules installed into the cabinet, with a limit of 1-3 modules for the CB-12.

Cabinet comes with integrated copper bus bar

	CB - 12 Cabinet
Dimensions	700x1165x365 mm
SS202 Modules	1 to 3 modules
Maximum Discharge	15kW
Maximum Charging	15kW
Max. efficiency	98%
Weight	37kg

SOLAR MD STORAGE PRODUCTS



SS202

The Solar MD standard battery – SS202 has been widely used in energy storage applications in the African market. The battery is produced with world leading LiFePO4 technology.

BATTERY FEATURES

- ✓ Stable discharge platform
- ✓ Safe design
- ✓ Long lifecycle
- ✓ High temperature performance range
- ✓ High energy density
- ✓ High charge and discharge rate
- ✓ High efficiency
- ✓ No pollution or gasses

	SS202
Battery type	Lithium Iron Phosphate (LiFePO4)
Rated battery capacity	7400 Wh
Output power	Max 5kW
Usable battery energy @0.3C	7.4kWh
Nominal voltage	51.2V
Number of battery modules	1 module
Weight of SS202	63kg
Operational voltage	44.8-55.6 Vdc
Communication	CAN
Dimensions of SS202 (mm)	Width 300 x depth 300 x height 630
Battery cycle life [+25°C]	> 4000
Charging efficiency	99%
Operational temperature	-5 °C to +50 °C
Transport	UN3480 & UN38.3
Storage duration	6 months at +25 °C
Safety standard compliance	IEC 62619 / UN 38.3 / UL1642
Cell Certificate	TUV / CE / RCM / UL1642